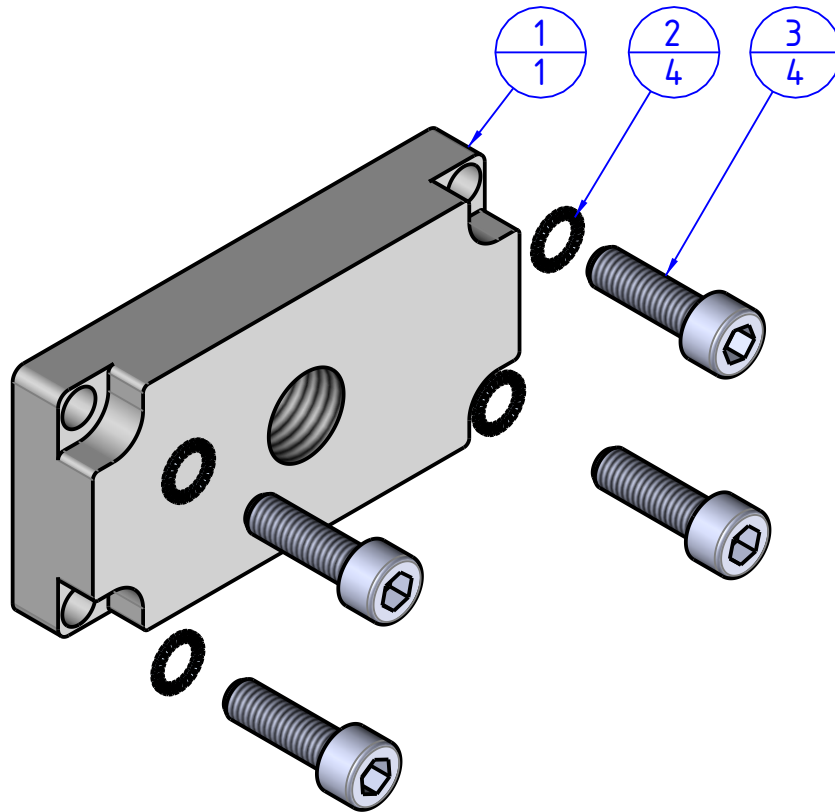
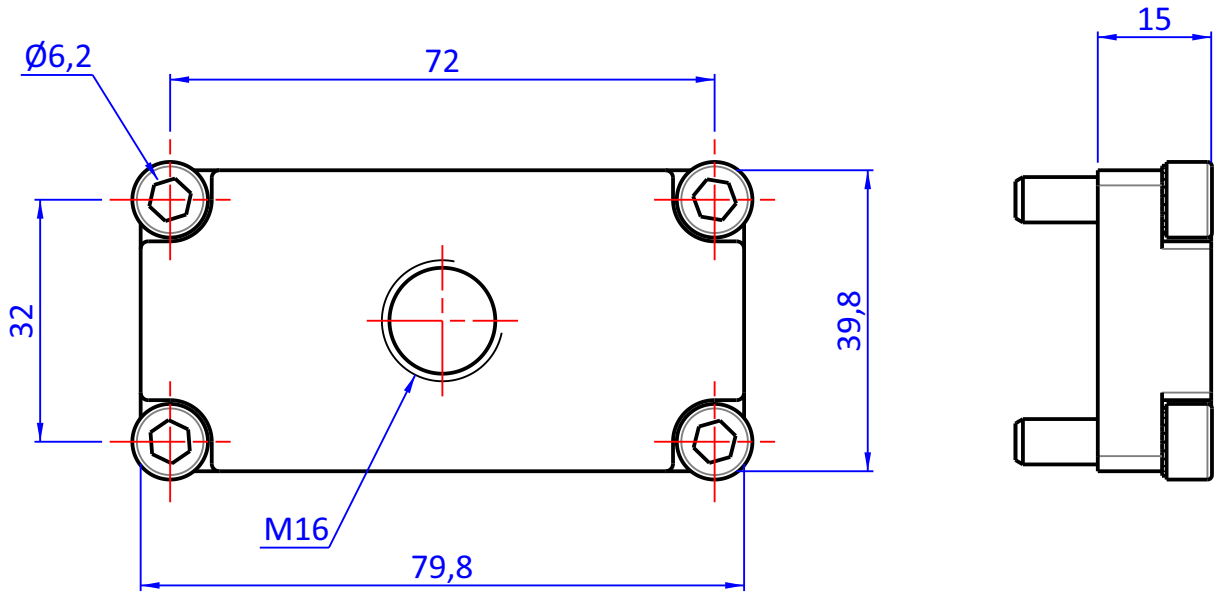

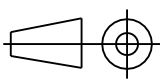


Item	Name	Q.ty
1	PP.8040.JU	1
2	R.6.SCH	4
3	V.TCE6x20	4



THE PROPERTY OF THE DRAWING IS ESTABLISHED BY LAW. IT IS FORBIDDEN TO PRODUCE OR SHOW IT TO THIRD PART. WITHOUT A WRITTEN AGREEMENT.

Format A4 UNI 936-76	 <b>FPS</b> FPSERVICES AUTOMATION			DESIGNED FROM <b>FPS Automation</b>	REVIEW <b>A</b>	
	GENERAL TOLERANCE UNI - ISO 2768 CLASSE f			DESCRIPTION <b>CA.PP.8040.JU</b>	DATE <b>09/01/2024</b>	WEIGHT <b>0,145kg</b>
				CODE <b>CA.PP.8040.JU</b>		